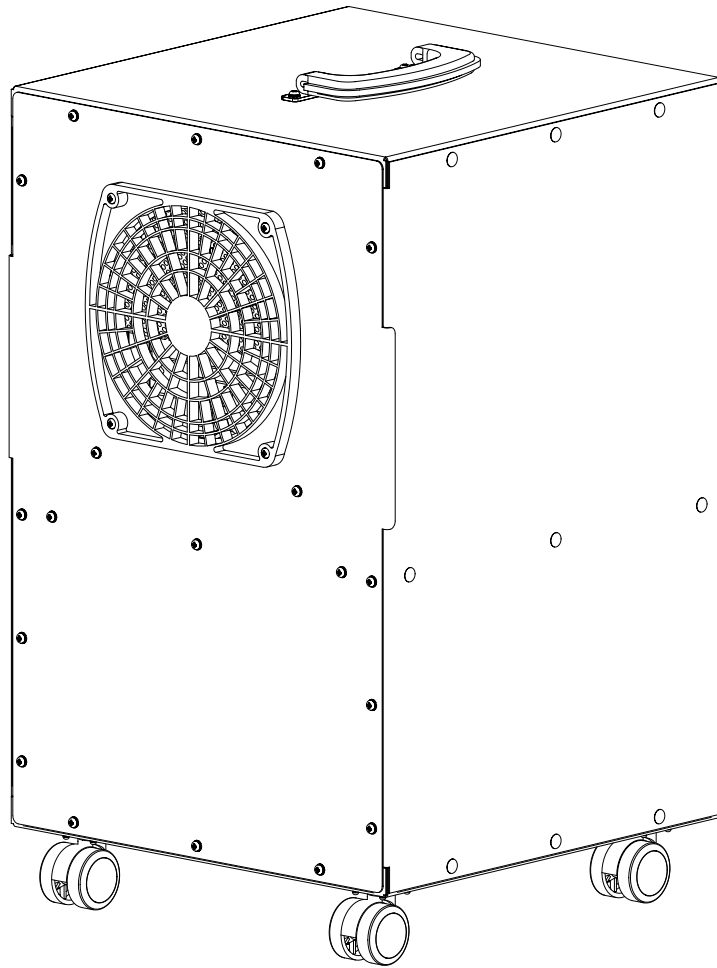


# MID-RANGE BLASTER



## ELECTRONIC SURFACE & AIR PURIFICATION SYSTEM

READ MANUAL CAREFULLY FOR PROPER USE AND OPTIMAL OPERATION.



# GENERAL INFORMATION

## PRODUCT OVERVIEW

Congratulations on your purchase! Your new Aerus® Mid-Range Blaster utilizes tested ActivePure Technology to provide 24/7 surface and air purification and provide years of trouble-free, low maintenance operation. Be sure to read and follow all service procedures outlined in this owner's manual, and use only genuine Aerus replacement parts.

## CONTENTS

Product Overview . . . . .	2
Specifications . . . . .	2
Storage & Disposal . . . . .	2
Important Safety Instructions . . . . .	3
For Canadian Customers Only . . . . .	4
Product Features . . . . .	5
Operation . . . . .	6
ActivePure® Cell Assembly . . . . .	6
Replacement Parts & Service . . . . .	7
Warranty Information . . . . .	8
FCC Declaration & Responsible Party . . . . .	9

## FILL IN AND SAVE

Record information regarding your new Aerus Mid-Range Blaster here. Retain for future reference.

Model No. \_\_\_\_\_

Serial No. \_\_\_\_\_

Date of Purchase \_\_\_\_\_

Independent Distributor/Contractor:

Name \_\_\_\_\_

Phone No. \_\_\_\_\_

Address \_\_\_\_\_

## SPECIFICATIONS

### Aerus Mid-Range Blaster:

- Model number: F213A
- Sales number: 00667

### Technology:

- ActivePure® (4 Cells) – ozone-free

### Electrical:

- Input Voltage: 120 V; 60 Hz
- Power Consumption: 172W

### Mechanical:

- Fuse: 2.25A slowblow
- Nominal Airflow Rate: 300 CFM

### Safety:

- Conforms to UL 507

### Sound Level:

- 57.4 dB(A)

### Weight & Dimensions:

- 24 lbs (11 kg) (unpacked)
- 13" W x 22" H x 13" D (33.02 cm x 48.26 cm x 33.02 cm)

### Coverage<sup>1</sup>:

- Up to 5,000 sq. ft. (464 m<sup>2</sup>) depending on occupant density and other factors<sup>1</sup>. High density commercial not to exceed 1,500 sq. ft. (139 m<sup>2</sup>).

### Warranty:

- Limited Three (3) Year Warranty

We reserve the right to change or modify any specification without notice.

1. Assumes 8 foot ceilings. Solutions should be customized based upon a variety of factors including HVAC system capabilities and settings, air flows taking into account walls, air pressure, and doors, ambient air temperatures and humidities, variable density, known VOC concentrations, and other layers of protection.

## STORAGE AND DISPOSAL

Do not dispose of this product as household waste. Electrical waste and electronic products should be appropriately recycled as required by practices established by your local authority.



If you have any questions regarding the use of this, or any Aerus product, contact your Independent Distributor/Contractor or Aerus Customer Service at 800.243.9078 (U.S.) or 800.668.0763 (CANADA).

# IMPORTANT SAFETY INSTRUCTIONS



- Disconnect power cord before servicing
- Electrical Shock Hazard
- Can cause injury or death
- When using electrical appliances, basic precautions should always be followed to reduce risk of fire, electric shock, and injury to persons, including the following:



- Risk of property damage, injury or death
- Any service must be performed by a qualified technician
- Risk of Sharp Edges Hazard
- Sharp edges on unit can cause injuries; avoid grasping edges on unit without protective gloves

Read this manual in its entirety before using your Aerus® Mid-Range Blaster.

Keep out of the reach of children.

- Use only as described in this manual
- **DO NOT** attempt to repair or adjust any of the electrical or mechanical functions of the Aerus Mid-Range Blaster. Contact Aerus Customer Service for service information
- **DO NOT** use filters other than authorized Aerus Mid-Range Blaster filters
- **DO NOT** use outdoors or on wet surfaces
- **DO NOT** allow to be used as a toy; Keep out of reach from children; close attention is necessary if operated near children
- **DO NOT** use with damaged cord or plug. If unit is not working as it should, has been dropped, damaged, left outdoors, or dropped into water, **DO NOT** use, and return it to a service center
- **DO NOT** pull or carry by cord, use cord as a handle, close door on cord, or pull cord around sharp edges or corners. Keep cord away from heated surfaces
- **DO NOT** unplug by pulling on cord. To unplug, grasp the plug, not the cord
- **DO NOT** allow unit to sit on cord
- **DO NOT** handle plug or unit with wet hands
- **DO NOT** allow foreign objects to enter the ventilation or exhaust openings
- Keep hair, loose clothing, fingers, and all parts of body away from openings and moving parts
- Turn off all controls before unplugging
- To avoid electric shock and fire hazards, plug directly into an appropriate electrical outlet (see voltage on unit); NEVER use with an extension cord or power strip
- To reduce the risk of electrical shock, this unit has a grounded plug (with a third prong); This plug will fit in a grounded outlet only one way. If it does not fit, contact a qualified electrician to install the proper outlet. **DO NOT** change the plug in any way. **DO NOT** use adapters
- The unit should not be used near the presence of oxygen tanks or other flammable gasses
- Place the unit in a location away from the wall that allows air to move freely into, around and out of the unit

SAVE THESE INSTRUCTIONS

# FOR CANADIAN CUSTOMERS ONLY

---

## AERUS® MID-RANGE BLASTER

Sales No. : 00667

This UV device helps reduce the spread of viruses in the air.

Keep out of the reach of children.

Please read the label and owner's manual before using: [aerusonline.com/manuals](http://aerusonline.com/manuals)

### **PRECAUTIONS:**

**WARNING:** UV radiation emitted from this device. Unintended use of the device, or damage to the housing, may result in exposure to ultraviolet radiation. Ultraviolet radiation may cause eye and skin irritation. Avoid exposing eyes and skin to ultraviolet radiation.

**FIRST AID INSTRUCTIONS:** Please contact your healthcare provider in the event of injury caused by this device.

### **DIRECTIONS FOR USE:**

Plug the cord into a working electrical outlet, leaving at least one inch of open area to allow for airflow. Push the Power Switch to the ON position to operate the unit. Please see this manual for detailed instructions on using, handling, storing and disposing of the device, and procedures to mitigate any associated risks.

The use of this device is a supplement to and not a substitute for standard infection control practices; users must continue to follow all current infection control practices, including those related to the cleaning and disinfection of environmental surfaces.

### **FOR INQUIRIES CONTACT:**

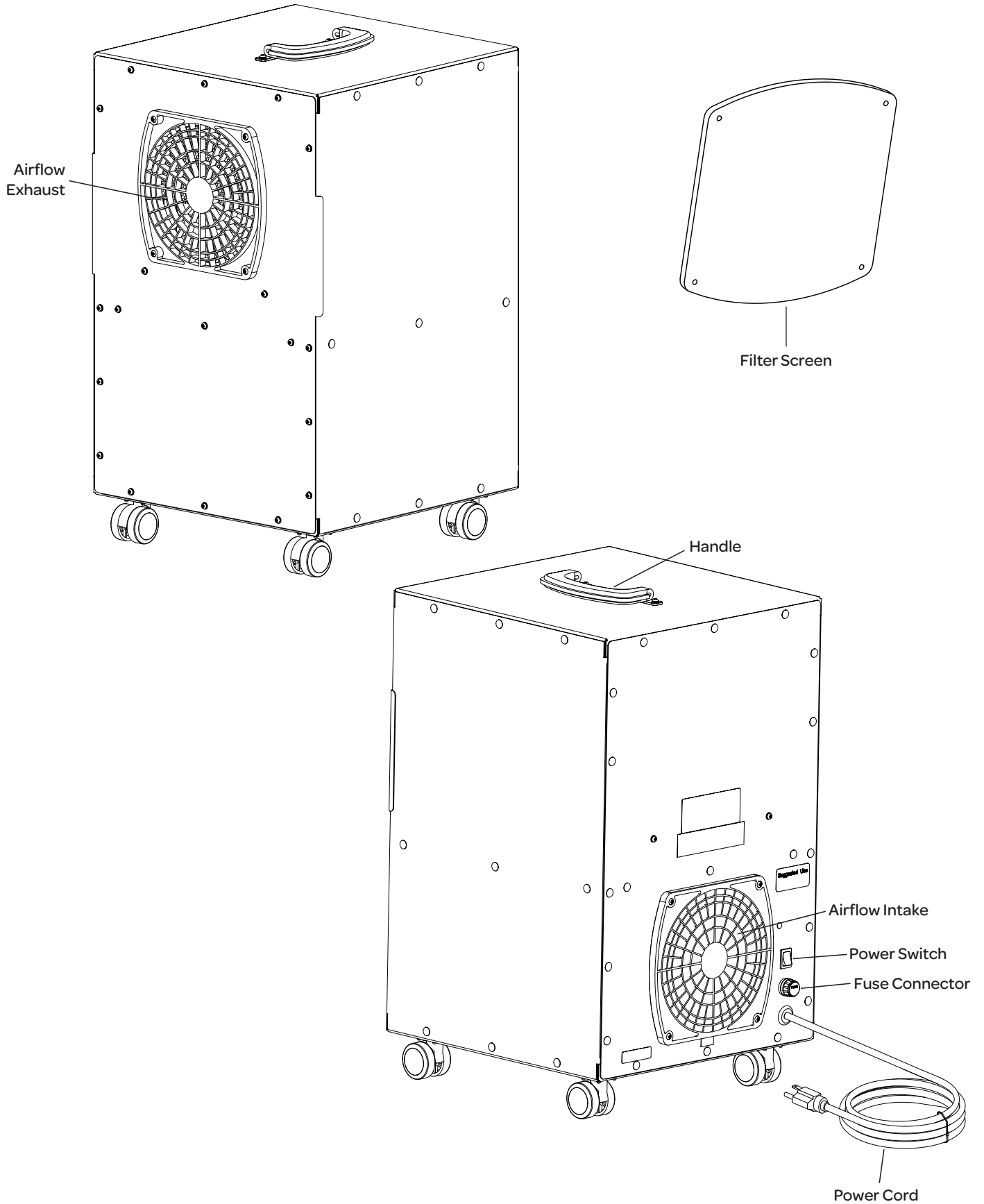
AERUS CANADA, INC.  
Laird Business Park  
3480 Laird Road, Units 2-5  
Mississauga, Ontario, Canada, L5L 5Y4

W. Parrell, Manager  
(905) 569-9399  
[wparrell@aerusonline.com](mailto:wparrell@aerusonline.com)

Aerus Canada, Inc. is affiliated with ActivePure Manufacturing, LLC  
1300 Valley Drive, Bristol, VA 24201

# PRODUCT FEATURES

It is important to be familiar with the parts of the Aerus® Mid-Range Blaster. If any parts are missing, call your local Aerus location for replacement.



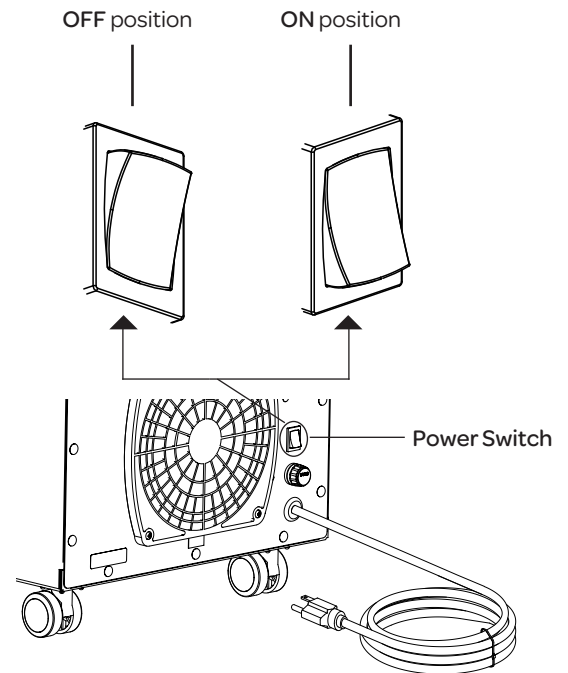
## OPERATION

---

The Aerus® Mid-Range Blaster is only to be serviced by an authorized Aerus Service Technician. This is a device intended for the reduction of viruses, bacteria, and other contaminants in large indoor spaces.

1. Take your Aerus Mid-Range Blaster unit out of the shipping carton and remove all protective materials.
2. Place the unit in the center of the area to be treated for best results.
3. Plug the cord into a working electrical outlet, leaving at least one inch of open area to allow for airflow.
4. Push the **Power Switch** to the **ON** position to operate the unit.
5. When finished using, push the Power Switch to the **OFF** position.
6. Unplug the unit from the electrical outlet when unit is not in use.

**NOTE:** Periodic vacuuming of the filter screen (see diagram on page 5) may be required.



## ACTIVEPURE® CELL ASSEMBLY

---

To maintain optimal performance, the ActivePure® Cell Assembly should be replaced once every 12 months. For questions, call your local franchise or Customer Service at 800.572.0502 (U.S.) or 800.668.0763 (CANADA).

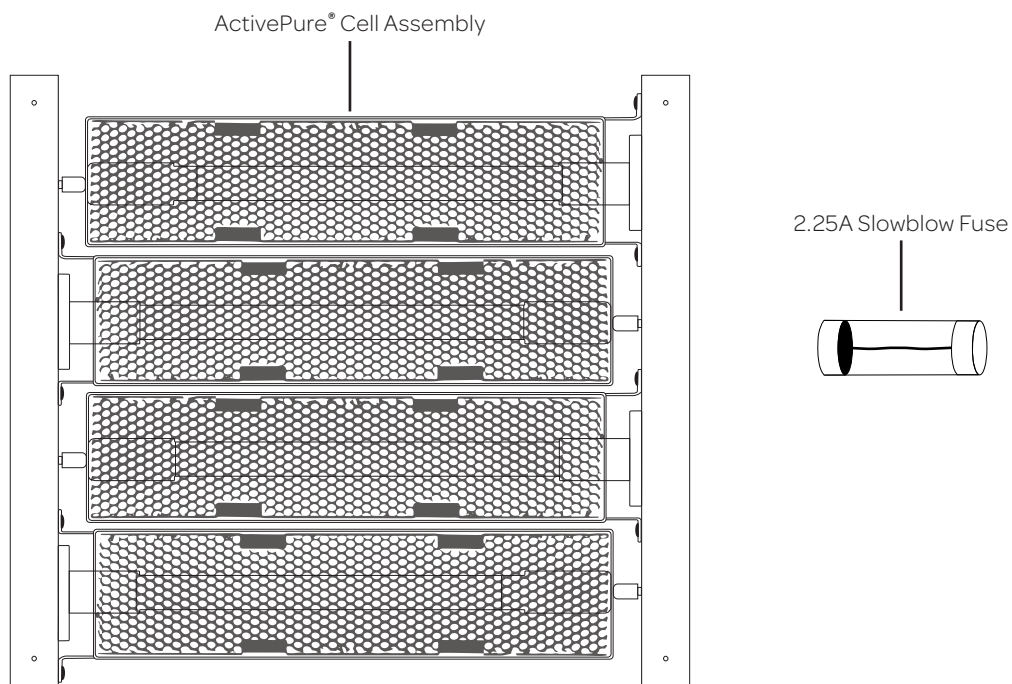
# REPLACEMENT PARTS & SERVICE



**WARNING**

Use only replacement parts recommended by the manufacturer.

REPLACEMENT PARTS	PART NUMBER
ActivePure® Cell Assembly (4 Required)	49783
2.25A Slowblow Fuse	Purchase at any local hardware or auto store



For prompt service, call your Aerus representative or the nearest Aerus location. Your authorized Aerus location offers you the best in service both during and after the warranty period, as well as genuine Aerus parts and supplies.

Every effort is made to ensure that customers receive an up-to-date instruction manual on the use of Aerus products; however, from time to time, modifications to our products may without notice make the information contained herein subject to alteration.

**Use this unit only in the manner intended by the manufacturer. If you have questions, contact Customer Service at 800.243.9078 (U.S) or 800.668.0763 (CANADA).**

# WARRANTY INFORMATION

## Limited Three (3) Year Warranty

To register your Aerus® Mid-Range Blaster unit, visit [aerusonline.com/warranty](http://aerusonline.com/warranty).

### WHAT IS COVERED BY THIS WARRANTY

We warrant the Aerus Mid-Range Blaster to the consumer, subject to the conditions below, against defects in workmanship or material, provided that the products are returned to a service location within the following time periods:

- Aerus Mid-Range Blaster within three (3) years from date of purchase
- ActivePure Cell Assembly within 12 months year from date of purchase

### MAINTENANCE REQUIREMENTS

This warranty is expressly conditioned upon proper, operation, cleaning and maintenance, all in accordance with the Owner's Manual. Failure to meet any of these requirements will void this warranty. Servicing of your Aerus Mid-Range Blaster by parties other than our authorized representative and/or using parts other than genuine parts will also void this warranty.

This warranty is contingent upon:

- Replacing the ActivePure Cell Assembly once every 12 months with a genuine ActivePure part (proof of change may be required)

### HOW TO OBTAIN WARRANTY SERVICE

Customer must contact Aerus Customer Service or go online to [aerusonline.com/warranty](http://aerusonline.com/warranty) to activate their warranty within 6 months of purchase. We will repair or replace and return the product, without charge and within a reasonable period of time, subject to the conditions in the above paragraphs, if its examination shall disclose any part to be defective in workmanship or material. If we, in our discretion, are unable to repair the product after a reasonable number of attempts, we will provide either a refund of the purchase price or a replacement unit, at the company's option.

### WHAT IS NOT COVERED BY THIS WARRANTY

Ordinary wear and tear shall not be considered a defect in workmanship or material. These warranties do not apply to filters nor for loss or damage caused by accident, fire, abuse, misuse, improper installation, modification, or misapplication.

### MISSING SERIAL NUMBERS AND UNAUTHORIZED CHANNELS

If a valid serial number is missing from the product, the warranty will be voided. Warranties are voided if a product is purchased through unauthorized channels, this includes websites that are not authorized to sell our products OR to use Aerus trademarked names, images and logos as well as Internet auction sites (e.g. eBay and Craigslist). The only approved Internet presence for Aerus products is [aerusonline.com](http://aerusonline.com). To confirm warranty coverage prior to purchasing a product, contact Aerus Customer Service at 800.243.9078 (U.S.) or 800.668.0763 (CANADA) with the serial number located on the back of the unit.

### EXCLUSION OF OTHER WARRANTIES AND CONDITIONS

EXCEPT AS PROVIDED HEREIN, AND TO THE EXTENT CONSISTENT WITH APPLICABLE LAWS, WE MAKE NO REPRESENTATION OR WARRANTY OF ANY KIND. ALL OTHER WARRANTIES OF ANY KIND, EXPRESS OR IMPLIED, ARE HEREBY EXPRESSLY DISCLAIMED, INCLUDING ANY IMPLIED WARRANTY OF MERCHANTABILITY OR FITNESS FOR A PARTICULAR PURPOSE.

### LIMITATION OF LIABILITY FOR SPECIAL, INCIDENTAL, OR CONSEQUENTIAL DAMAGES

TO THE EXTENT CONSISTENT WITH APPLICABLE LAWS, WE SHALL NOT IN ANY CASE BE LIABLE FOR SPECIAL, INCIDENTAL OR CONSEQUENTIAL DAMAGES ARISING FROM BREACH OF EXPRESSED OR IMPLIED WARRANTIES, CONDITIONS, GUARANTEES OR REPRESENTATIONS, BREACH OF CONTRACT, NEGLIGENCE OR ANY OTHER LEGAL THEORY. Such excluded damages include, but are not limited to, loss of profits or revenue, and loss of the use of the products.

### FOR U.S. APPLICATION ONLY

This warranty gives you specific legal rights, and you may also have other rights which vary from state to state. Some states do not allow limitations on warranties, or on remedies for breach. In such states, the above limitations may not apply to you.

### FOR CANADIAN APPLICATION ONLY

Exclusion of Subsequent Owners: Except as otherwise required by applicable legislation, this warranty is not transferable. This warranty gives you specific legal rights and you may also have other rights which vary from province to province. Some provinces and territories do not allow limitations on warranties, or on remedies for breach. In such provinces or territories, the above limitations may not apply to you. If any provision of this warranty or part thereof is held by a court of competent jurisdiction to be invalid, illegal, or unenforceable, the validity, legality and enforceability of the remaining provisions or parts thereof will not in any way be affected or impaired within the jurisdiction of that court. This entire warranty shall continue to be valid, legal and enforceable in any jurisdiction where a similar determination has not been made.

This warranty is provided by:

ActivePure Manufacturing, LLC  
1300 Valley Drive  
Bristol, VA 24201

### SERVICE

Every effort is made to ensure customers receive an up-to-date instructions manual on the use of our products; however, from time to time, modifications to our products may without notice make the information contained herein subject to alteration. For the latest information, please visit our website at [aerusonline.com](http://aerusonline.com).



# FCC DECLARATION & RESPONSIBLE PARTY

---

This equipment has been tested and found to comply with the limits for a Class B digital device, pursuant of part 15 of the FCC Rules. These limits are designed to provide reasonable protection against harmful interference in a residential installation. This equipment generates, uses, and can radiate radio frequency energy, and if not installed and used in accordance with the instructions, may cause harmful interference to radio communications. However, there is no guarantee that interference will not occur in a particular installation. If this equipment does cause harmful interference to radio or television, which can be determined by turning the equipment off and on, the user is encouraged to try to correct the interference by one or more of the following measures:

- Reorient or relocate the receiving antenna.
- Increase the separation between the equipment and receiver.
- Connect the equipment into an outlet on a circuit different from that to which the receiver is connected.
- Consult the Independent Contractor for help.

## FCC DECLARATION OF CONFORMITY

**Name:** Aerus® Mid-Range Blastter

**Model:** F213A

**Manufactured by:** ActivePure Manufacturing, LLC

This device complies with Part 15 of the FCC Rules.

## RESPONSIBLE PARTY


ActivePure Manufacturing, LLC

1300 Valley Drive

Bristol, VA 24201

Ph: 800.243.9078

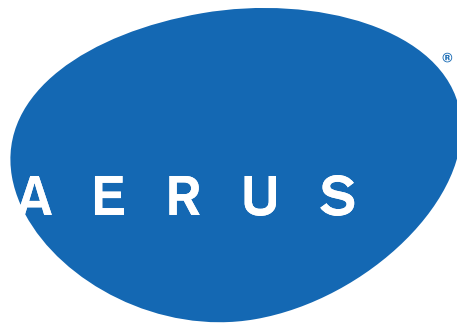
**Signature:** \_\_\_\_\_



**Printed Name:** Andrew Eide

**Title:** Vice President of Product Development  
and Manufacturing

**Date:** 08/11/2023



For information regarding the use of this product, please contact Customer Service

**800.243.9078 (U.S.)**

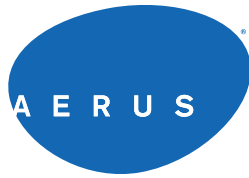
**800.668.0763 (CANADA)**

**[aerusonline.com](http://aerusonline.com)**

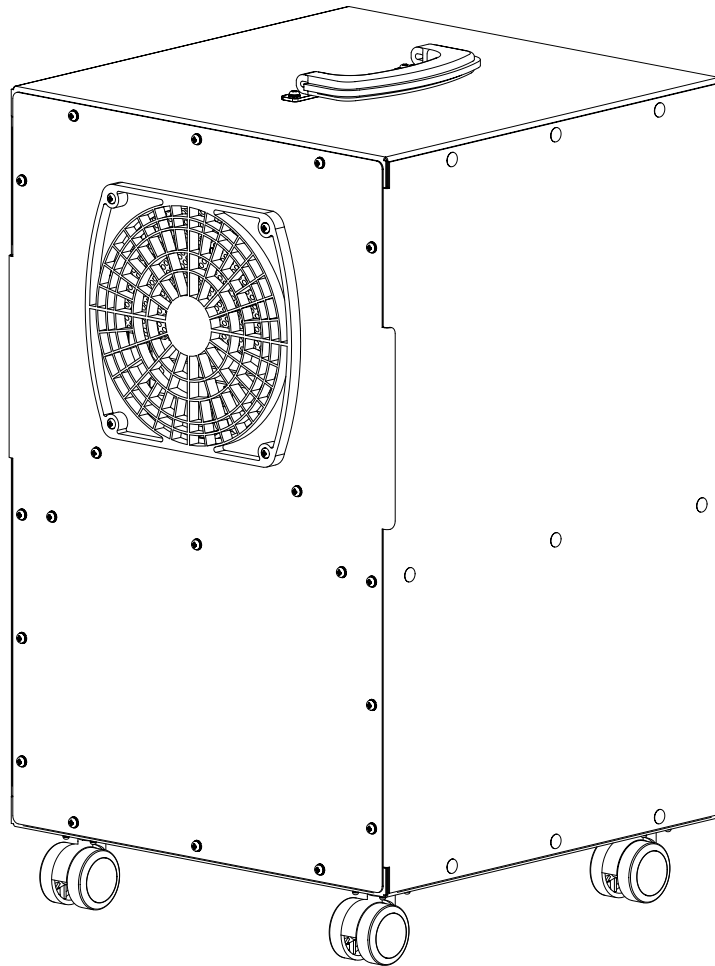
Aerus, LLC | 1300 Valley Drive | Bristol, VA 24201 | 800.243.9078  
Aerus Canada, Inc. | 3480 Laird Road, Suite 2-5 | Mississauga, ON L5L 5Y4 | 800.668.0763

Assembled in U.S.A | © Aerus, LLC. All Rights Reserved

AMRB\_OM\_65-00881\_VA-01952



# MID-RANGE BLASTER



## SYSTÈME ÉLECTRONIQUE DE PURIFICATION DE L'AIR ET DES SURFACES

LIRE ATTENTIVEMENT LE MANUEL AFIN D'UTILISER CORRECTEMENT L'APPAREIL ET  
D'ASSURER SON FONCTIONNEMENT OPTIMAL.



# INFORMATIONS GÉNÉRALES

## DESCRIPTION DU PRODUIT

Félicitations pour l'achat de votre appareil! Votre nouveau système Aerus® Mid-Range Blaster tire parti de la technologie éprouvée ActivePure pour fournir une purification de l'air et des surfaces 24 h/24, 7 j/7. Il est conçu pour fonctionner pendant de nombreuses années sans problème et avec peu de maintenance. Veuillez vous assurer de lire et de suivre toutes les procédures d'entretien décrites dans ce manuel d'utilisation, et de n'installer que les pièces de rechange d'origine Aerus..

## TABLE DES MATIÈRES

Description du produit . . . . .	12
Spécifications . . . . .	12
Stockage et mise au rebut . . . . .	12
Consignes de sécurité importantes . . . . .	13
Pour les clients au Canada seulement . . . . .	14
Caractéristiques du produit . . . . .	15
Utilisation . . . . .	16
Assemblage de cellule ActivePure® . . . . .	16
Pièces de rechange et service . . . . .	17
Informations relatives à la garantie . . . . .	18
Déclaration FCC et partie responsable . . . . .	19

## À REMPLIR ET À CONSERVER

Répertoriez ici les renseignements de votre nouvel Aerus Mid-Range Blaster. Conserver pour référence future.

Modèle n°. \_\_\_\_\_

Numéro de série. \_\_\_\_\_

Date d'achat \_\_\_\_\_

Distributeur/entrepreneur indépendant:

Nom \_\_\_\_\_

Numéro de téléphone \_\_\_\_\_

Adresse \_\_\_\_\_

## SPÉCIFICATIONS

### Aerus Mid-Range Blaster:

- Numéro de modèle : F213A
- Numéro de série : 00667

### Technologie:

- Cellules ActivePure® (4) – sans ozone

### Électrique:

- Tension d'alimentation : 120 V; 60 Hz
- Consommation d'électricité : 172W

### Sécurité:

- Conforme à la norme UL 507

### Mécanique:

- Fusible : Souffleuse 2,25 A
- Débit nominal : 300 pi<sup>3</sup>

### Niveau acoustique:

- 57,4 dB(A)

### Poids et dimensions:

- 24 lb (11 kg) sans emballage
- 13 po (L) x 22 po (H) x 13 po (P)  
(33,02 cm x 48,26 cm x 33,02 cm)

### Couverture<sup>1</sup>:

- Jusqu'à 3000 pieds carrés (soit 278 m<sup>2</sup>) selon le taux d'occupation et d'autres facteurs<sup>1</sup>. Espaces commerciaux à fort taux d'occupation de moins de 1500 pieds carrés (soit 139 m<sup>2</sup>).

### Garantie:

- Garantie limitée de trois (3) ans

**Nous nous réservons le droit de changer ou de modifier toute spécification sans préavis.**

1. On suppose que les plafonds font 8 pieds de haut. Les solutions doivent être adaptées en fonction de différents facteurs, notamment les capacités et les réglages du système CVC, la circulation de l'air en tenant compte des murs, de la pression atmosphérique, des portes, de la température et de l'humidité ambiantes, des densités variables, de la concentration connue de COV, et d'autres couches de protection.

## STOCKAGE ET MISE AU REBUT

Ne pas jeter ce produit avec les ordures ménagères. Les déchets électriques et produits électroniques doivent être recyclés convenablement, conformément aux pratiques établies par votre autorité locale.



Si vous avez des questions concernant ce produit ou tout autre produit Aerus, contactez votre distributeur ou entrepreneur indépendant, ou le service à la clientèle Aerus au 1.800.243.9078 (États-Unis) ou 1.800.668.0763 (CANADA).

# CONSIGNES DE SÉCURITÉ IMPORTANTES



**MISE EN  
GARDE**

- Débrancher l'appareil avant d'effectuer des travaux d'entretien
- Danger de décharge électrique
- Peut causer des blessures ou la mort
- Lorsque vous utilisez des appareils électriques, veuillez toujours prendre les précautions basiques nécessaires pour réduire les risques d'incendie, de décharge électrique et de blessure, notamment:



**ATTENTION**

- Risque de dommages matériels, de blessures ou de décès
- Tout entretien de cet appareil doit être effectué par un technicien qualifié
- Risque de danger en raison des bords tranchants
- Les bords tranchants de l'appareil peuvent provoquer des blessures; éviter d'agripper les rebords de l'appareil sans gants de protection

Lire ce manuel dans sa totalité avant d'utiliser votre Aerus® Mid-Range Blaster:

**Garder hors de la portée des enfants.**

- N'utiliser l'appareil que de la façon prescrite dans ce manuel
- **NE JAMAIS** essayer de réparer ou d'ajuster les fonctions électriques ou mécaniques de l'Aerus Mid-Range Blaster. Contacter le service à la clientèle d'Aerus pour tout renseignement sur l'entretien
- **NE JAMAIS** utiliser des filtres autres que les filtres Aerus Mid-Range Blaster autorisés
- **NE JAMAIS** utiliser l'appareil à l'extérieur ou sur des surfaces humides
- **NE DOIT JAMAIS** être utilisé comme jouet; garder hors de la portée des enfants; faire preuve d'une attention particulière si utilisé à proximité d'enfant
- **NE PAS** utiliser l'appareil si le fil électrique ou la fiche sont endommagés. Si l'appareil ne fonctionne pas normalement, qu'il est tombé, entré en contact avec l'eau ou endommagé, ou qu'il a été laissé à l'extérieur, **NE PAS** l'utiliser et le retourner à un centre de service
- **NE PAS** tirer ou transporter l'appareil par le cordon d'alimentation, ou se servir de ce dernier comme d'une poignée. **NE PAS** fermer de porte sur le cordon ou tirer celui-ci le long de bords ou de coins tranchants. Tenir le cordon à l'écart des surfaces chaudes
- **NE PAS** débrancher en tirant sur le cordon d'alimentation. Pour débrancher, tirer sur la fiche et non sur le cordon lui-même
- **NE PAS** placer l'appareil sur le cordon
- **NE PAS** manipuler l'appareil ou la fiche avec des mains humides
- **NE PAS** laisser des objets étrangers entrer dans les ouvertures de ventilation ou d'aération
- Tenir les cheveux, les vêtements, les doigts et toute partie du corps à l'écart des ouvertures et des pièces en mouvement.
- Tout arrêter avant de débrancher
- Afin d'éviter les décharges électriques et les risques d'incendie, brancher l'appareil directement dans une prise électrique appropriée (voir le voltage indiqué sur l'unité), **NE JAMAIS** utiliser avec une rallonge ou une multiprise
- Afin de réduire les risques de décharge électrique, cet appareil est doté d'une prise de mise à la terre (avec une troisième broche); cette fiche peut être branchée dans une prise de mise à la terre dans un seul sens uniquement. Si cela ne fonctionne pas, communiquer avec un électricien qualifié pour installer la prise appropriée. **NE JAMAIS** changer la fiche. **NE PAS** utiliser d'adaptateurs
- L'appareil ne doit pas être utilisé à proximité de réservoirs à oxygène ou de tout autre gaz inflammable
- L'endroit choisi pour l'installation doit permettre une circulation d'air libre dans, autour et hors de l'appareil

**CONSERVER CES CONSIGNES**

# POUR LES CLIENTS AU CANADA SEULEMENT

---

## AERUS® MID-RANGE BLASTER

Numéro de série : 00667

Ce modèle à rayons UV permet de réduire la propagation des virus dans l'air.

Garder hors de la portée des enfants.

Veillez lire l'étiquette et le manuel d'utilisation avant de l'utiliser: [aerusonline.com/manuals](http://aerusonline.com/manuals)

### PRÉCAUTIONS:

**MISE EN GARDE:** Cet appareil émet des rayonnements UV. L'utilisation involontaire de cet appareil ou un boîtier endommagé peut entraîner l'exposition à des rayons ultraviolets. Les rayonnements ultraviolets peuvent irriter les yeux et la peau. Évitez d'exposer vos yeux et votre peau aux rayons ultraviolets.

**INSTRUCTIONS POUR LES PREMIERS SOINS:** Veuillez contacter votre professionnel de la santé en cas de blessure causée par cet appareil.

### MODE D'EMPLOI:

Branchez le cordon à une prise électrique fonctionnelle, en laissant un espace d'un pouce au minimum pour permettre la circulation de l'air. Appuyez sur l'interrupteur d'alimentation pour le placer en position MARCHE afin de mettre en route l'appareil. Veuillez consulter le manuel de démarrage rapide pour en savoir plus sur l'utilisation, la manipulation, le stockage et la mise au rebut de l'appareil, ainsi que les procédures permettant d'atténuer les risques associés.

L'utilisation de cet appareil agit en complément des pratiques standards de contrôle des infections et ne représente donc pas un moyen de substitution à celles-ci. Les utilisateurs doivent continuer à suivre toutes les pratiques standards actuelles en matière de contrôle des infections, y compris celles concernant le nettoyage et la désinfection des surfaces environnantes.

### POUR TOUTE QUESTION, VEUILLEZ CONTACTER:

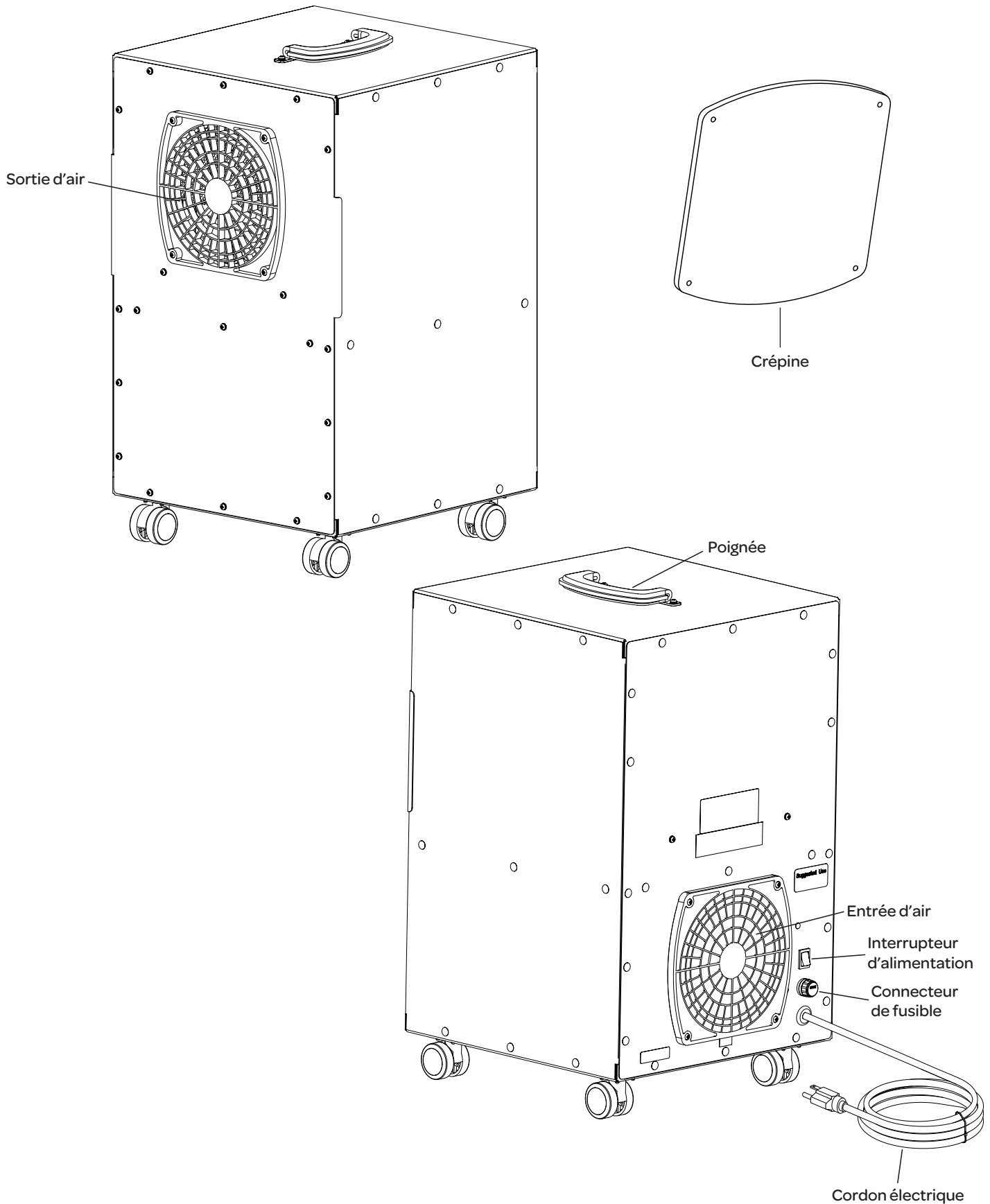
AERUS CANADA, INC.  
Laird Business Park  
3480 Laird Road, Unités 2-5  
Mississauga, Ontario, Canada, L5L 5Y4

W. Parrell, Responsable  
(905) 569-9399  
[wparrell@aerusonline.com](mailto:wparrell@aerusonline.com)

Aerus Canada Inc. est affiliée à ActivePure Manufacturing, LLC  
1300 Valley Drive, Bristol, VA 24201

# CARACTÉRISTIQUES DU PRODUIT

Il est important de se familiariser avec les pièces de l'Aerus® Mid-Range Blaster. S'il manque quoi que ce soit, appelez votre établissement Aerus local.

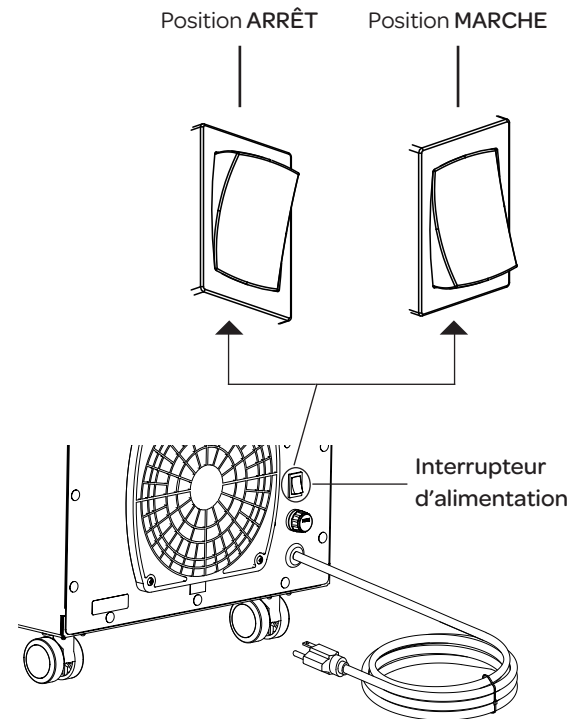


# UTILISATION

L'Aerus® Mid-Range Blaster doit uniquement être entretenu par un technicien Aerus autorisé. Cet appareil est conçu pour réduire la quantité de virus, de bactéries et d'autres impuretés dans de grands espaces fermés.

1. Sorter votre Aerus Mid-Range Blaster de son carton d'emballage et retirer toutes les protections.
2. Placez l'appareil au milieu de la zone à traiter pour de meilleurs résultats.
3. Branchez le cordon de l'appareil dans une prise électrique en état de marche en laissant un espace ouvert d'au moins 1 po afin de permettre à l'air de circuler.
4. Pour mettre l'appareil en marche, appuyez sur l'**interrupteur d'alimentation** pour le mettre en position **MARCHE**.
5. Lorsque vous avez terminé, appuyez sur l'interrupteur d'alimentation pour le mettre en position **ARRÊT**.
6. Débranchez l'appareil de la prise électrique lorsqu'il n'est pas utilisé.

**REMARQUE:** Il peut être nécessaire d'aspirer la grille du filtre de façon périodique (voir schéma à la page 14).



## ASSEMBLAGE DE CELLULE ACTIVEPURE®

L'assemblage de cellule ActivePure doit être remplacée tous les ans afin de conserver des performances optimales.

Pour toute question, contactez votre franchise locale ou le service à la clientèle au 1.800 572-0502 (États-Unis) ou au 1.800 668-0763 (Canada).



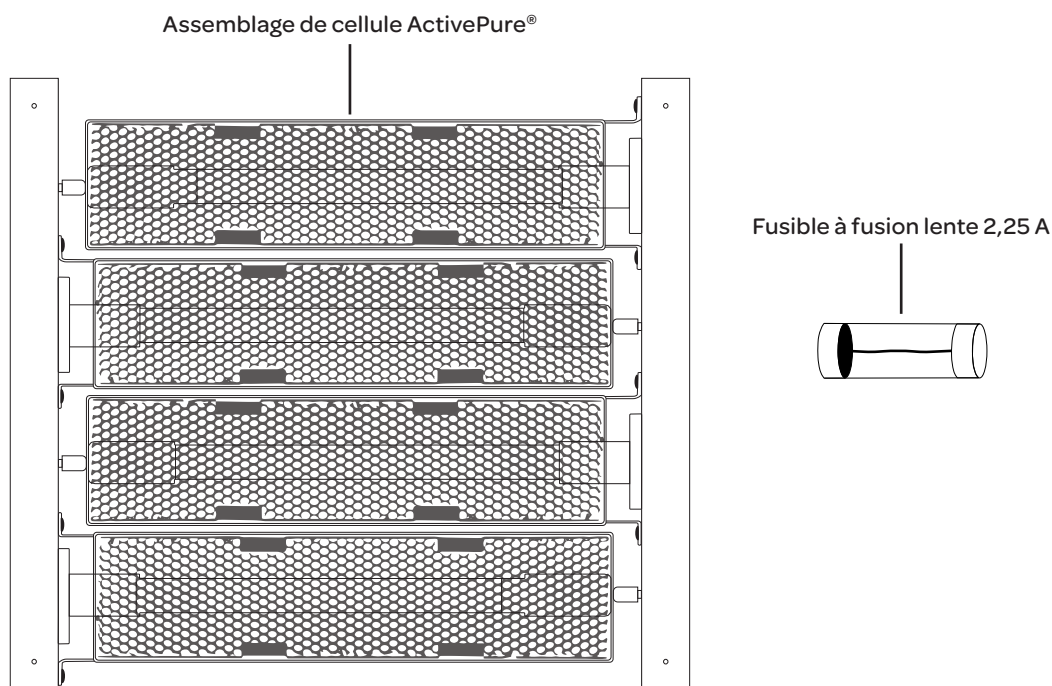
# PIÈCES DE RECHANGE ET SERVICE



**MISE EN  
GARDE**

Utilisez uniquement des pièces de rechange recommandées par le fabricant.

PIÈCES DE RECHANGE	NUMÉRO DE PIÈCE
Assemblage de cellule ActivePure® (4 unités requises)	49783
Fusible à fusion lente 2,25 A	Acheter dans un magasin local de pièces automobiles ou un magasin de bricolage



Pour un service rapide, contactez votre représentant Aerus ou le centre Aerus le plus proche. Votre centre autorisé Aerus vous offre le meilleur service pendant et après la période de garantie, de même que des pièces de rechange et fournitures Aerus d'origine.

Nous nous efforçons, dans la mesure du possible, de veiller à ce que nos clients reçoivent des manuels d'utilisation Aerus à jour; cependant, il se peut que de temps à autre nos produits subissent des modifications sans préavis, ce qui imposerait par la suite une modification des informations contenues dans ce manuel.

**Utiliser uniquement cet appareil comme recommandé par le fabricant. Pour plus d'information, contacter le service à la clientèle au 1.800.243.9078 (États-Unis) ou 1.800.668.0763 (CANADA).**

# INFORMATIONS RELATIVES À LA GARANTIE

## Garantie limitée de trois (3) ans

Pour enregistrer votre appareil Aerus® Mid-Range Blaster, rendez-vous sur [aerusonline.com/warranty](http://aerusonline.com/warranty).

### CE QUI EST COUVERT PAR LA GARANTIE

Nous garantissons l'appareil Aerus Mid-Range Blaster au client, selon les conditions ci-dessous, contre toute défectuosité de fabrication ou de matériaux, à condition que les produits soient retournés dans un centre de services dans les délais indiqués :

- Aerus Mid-Range Blaster dans les trois (3) ans à compter de la date d'achat
- Assemblage de cellule ActivePure dans l'année (12 mois) suivant la date d'achat

### EXIGENCES D'ENTRETIEN

Cette garantie est expressément assujettie au fonctionnement, au nettoyage et à l'entretien appropriés, le tout en conformité avec le manuel de l'utilisateur. En cas de non-conformité à l'une de ces exigences, cette garantie sera annulée. L'entretien de votre appareil Aerus Mid-Range Blaster par des parties autres que nos représentants autorisés et/ou l'utilisation de pièces autres que les pièces d'origine annuleront aussi cette garantie.

La garantie est subordonnée :

- Remplacement de l'assemblage de cellule ActivePure une fois tous les 12 mois par une pièce d'origine ActivePure (une preuve du remplacement pourrait être exigée).

### COMMENT OBTENIR LE SERVICE DE GARANTIE

Le client doit contacter le service à la clientèle d'Aerus ou se rendre sur [aerusonline.com/warranty](http://aerusonline.com/warranty) pour activer sa garantie dans les 6 mois suivant l'achat. Si l'examen révèle un défaut de fabrication ou de matériau d'une pièce, nous réparerons ou remplacerons, puis renverrons le produit sans aucuns frais supplémentaires et dans un délai raisonnable, sous réserve des conditions énoncées aux paragraphes ci-dessus. Si, à notre discrétion, nous ne sommes pas en mesure de réparer le produit après un nombre raisonnable de tentatives, nous en rembourserons le prix d'achat ou le remplacerons, au gré de la compagnie.

### CE QUI N'EST PAS COUVERT PAR CETTE GARANTIE

L'usure normale n'est pas considérée comme un défaut de matériau ou de fabrication. Cette garantie ne s'applique pas aux filtres ni en cas de pertes ou de dommages causés par un accident, un incendie, une utilisation abusive ou incorrecte, une installation incorrecte, une modification ou une application inadéquate.

### NUMÉROS DE SÉRIE MANQUANTS ET POINTS DE VENTE NON AUTORISÉS

En cas d'absence de numéro de série sur le produit, la garantie sera annulée. Les garanties s'annulent si un produit est acheté via un canal non autorisé, comme un site Internet non autorisé à vendre nos produits OU l'utilisation des noms de marque, images ou logos Aerus, ou encore un site de vente aux enchères (p. ex. : eBay ou Craigslist). Les produits Aerus ne peuvent être présents sur Internet que sur le site [aerusonline.com](http://aerusonline.com). Pour confirmer la couverture de la garantie avant d'acheter un produit, contacter le service à la clientèle d'Aerus au 1.800.243.9078 (États-Unis) ou au 1.800.668.0763 (CANADA) avec le numéro de série indiqué au dos de l'appareil.

### EXCLUSION D'AUTRES GARANTIES ET CONDITIONS

EXCEPTÉ POUR CE QUI EST CONVENU CI-APRÈS, ET DANS LA MESURE PERMISE PAR LES LOIS APPLICABLES, NOUS NE FORMULONS AUCUNE REPRÉSENTATION OU GARANTIE DE QUELQUE NATURE QUE CE SOIT. AERUS DÉCLINE EXPRESSÉMENT TOUTE AUTRE GARANTIE DE QUELQUE NATURE QUE CE SOIT, EXPLICITE OU IMPLICITE, Y COMPRIS TOUTE GARANTIE IMPLICITE DE QUALITÉ MARCHANDE OU DE CONVENANCE À UN USAGE PARTICULIER.

### LIMITE DE RESPONSABILITÉ À L'ÉGARD DES DOMMAGES PARTICULIERS, ACCESSOIRES OU INDIRECTS

DANS LA MESURE PERMISE PAR LES LOIS EN VIGUEUR, NOUS NE SERONS EN AUCUN CAS TENUS POUR RESPONSABLE POUR TOUT DOMMAGE SPÉCIAL, ACCESSOIRE OU INDIRECT DÉCOULANT D'UNE VIOLATION DES GARANTIES, CONDITIONS, CAUTIONS EXPLICITES OU IMPLICITES OU DES REPRÉSENTATIONS, VIOLATIONS DE CONTRAT, NÉGLIGENCE OU DE TOUTE AUTRE THÉORIE LÉGALE. Ces dommages exclus comprennent, sans s'y limiter, la perte de profits ou de revenus, et la perte de jouissance du produit.

### POUR LES ÉTATS-UNIS SEULEMENT

Cette garantie vous confère des droits juridiques précis qui peuvent être complétés par d'autres droits variant d'un État à l'autre. Certains États ne permettent pas de limiter les garanties ou les recours en cas de non-respect. Dans ces États, les limitations ci-haut mentionnées peuvent ne pas s'appliquer à vous.

### POUR LE CANADA SEULEMENT

Exclusion des propriétaires subséquents : Sauf disposition contraire dans les lois applicables, cette garantie n'est pas transférable. Cette garantie vous confère des droits juridiques précis qui peuvent être complétés par d'autres droits variant d'une province à l'autre. Certaines provinces et certains territoires ne permettent pas de limiter les garanties ou les recours en cas de non-respect. Dans ces provinces ou territoires, les dispositions limitatives ci-dessus peuvent être sans effet pour vous. Si l'une des clauses de cette garantie, partielle ou entière, est considérée par un tribunal compétent comme invalide, illégale ou inapplicable, la validité, la légalité et l'applicabilité des clauses restantes, partielles ou dans leur totalité, ne sera en aucun cas affectée ou modifiée par le tribunal compétent. La garantie entière continue d'être valide, légale et applicable dans toute juridiction ne s'étant pas prononcée de façon similaire.

Cette garantie est fournie par:  
ActivePure Manufacturing, LLC  
1300 Valley Drive  
Bristol, VA 24201

### SERVICE

Nous nous efforçons, dans toute la mesure du possible, de veiller à ce que nos clients reçoivent des manuels d'utilisation à jour; cependant, il se peut que de temps à autre nos produits subissent des modifications sans préavis, ce qui imposerait par la suite une modification des informations contenues dans ce manuel. Pour les renseignements les plus récents, veuillez visiter notre site Web sur [aerusonline.com](http://aerusonline.com).

# DÉCLARATION FCC ET PARTIE RESPONSABLE

Cet équipement a été testé et jugé conforme aux limites applicables pour un appareil numérique de Classe B, conformément à la section 15 des réglementations FCC. Ces limites sont établies afin d'apporter une protection raisonnable contre les interférences dangereuses dans une installation résidentielle. Cet équipement génère, utilise et peut émettre des fréquences radio et, s'il n'est pas installé et utilisé conformément aux instructions, peut provoquer des interférences nuisibles aux communications radio. Cependant, il n'est pas garanti que des interférences ne se produiront pas dans une installation en particulier. Si cet équipement cause des interférences dangereuses pour la radio ou la télévision, ce qui peut être déterminé en allumant et éteignant l'appareil, l'utilisateur est encouragé à tenter de corriger l'interférence par une ou plusieurs des mesures suivantes:

- Réorienter ou déplacer l'antenne de réception.
- Augmenter la séparation entre l'appareil et le récepteur.
- Brancher l'appareil dans une prise sur un circuit autre que celui où est branché le récepteur.
- Consulter l'entrepreneur indépendant pour obtenir de l'assistance.

## DÉCLARATION DE CONFORMITÉ À LA FCC

**Nom:** Aerus® Mid-Range Blastter

**Modèle:** F213A

**Fabriqué par:** ActivePure Manufacturing, LLC

Cet appareil est conforme à la section 15 des règles de la FCC.

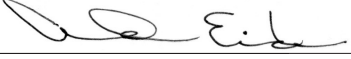
## PARTIE RESPONSABLE

ActivePure Manufacturing, LLC

1300 Valley Drive

Bristol, VA 24201

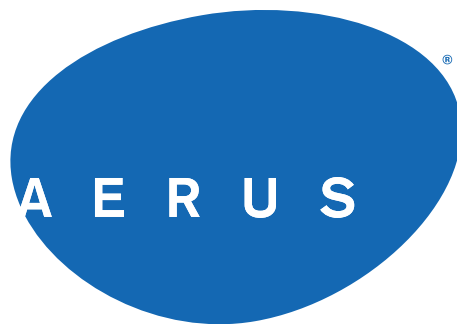
Tél. : 1.800.243.9078

**Signature:** 

**Nom en lettres moulées :** Andrew Eide

**Titre :** Vice-président du développement et  
de la fabrication des produits

**Date:** 11/08/2023



Pour de plus amples renseignements concernant l'utilisation de cet appareil,  
veuillez contacter le service à la clientèle

**1.800.243.9078 (É.-U.)**  
**1.800.668.0763 (CANADA)**

**[aerusonline.com](http://aerusonline.com)**

Aerus, LLC | 1300 Valley Drive | Bristol, VA 24201 | 1.800.243.9078  
Aerus Canada, Inc. | 3480 Laird Road, Unités 2-5 | Mississauga, ON L5L 5Y4 | 1.800.668.0763

Fabriqué aux États-Unis | © Aerus, LLC. Tous droits réservés